

ROTARY SHAFT OIL SEALS FOR CEMENT AND COAL MILL PULVERIZERS

TECHNICAL HANDBOOK



ROTARY SHAFT OIL SEALS FOR CEMENT AND COAL MILL PULVERIZERS

The rotary shaft oil seals from •FP• Srl - ATS Srl guarantee performance and advantages over conventional seals, in cement pulverizers, and coal mill pulverizers for power plants.

Depending on the design of the machines, or the equipment the •FP• Srl - ATS Srl oil seals can be mounted directly in the housing, or be assembled in a cartridge system that ease the installation after machine maintenance.

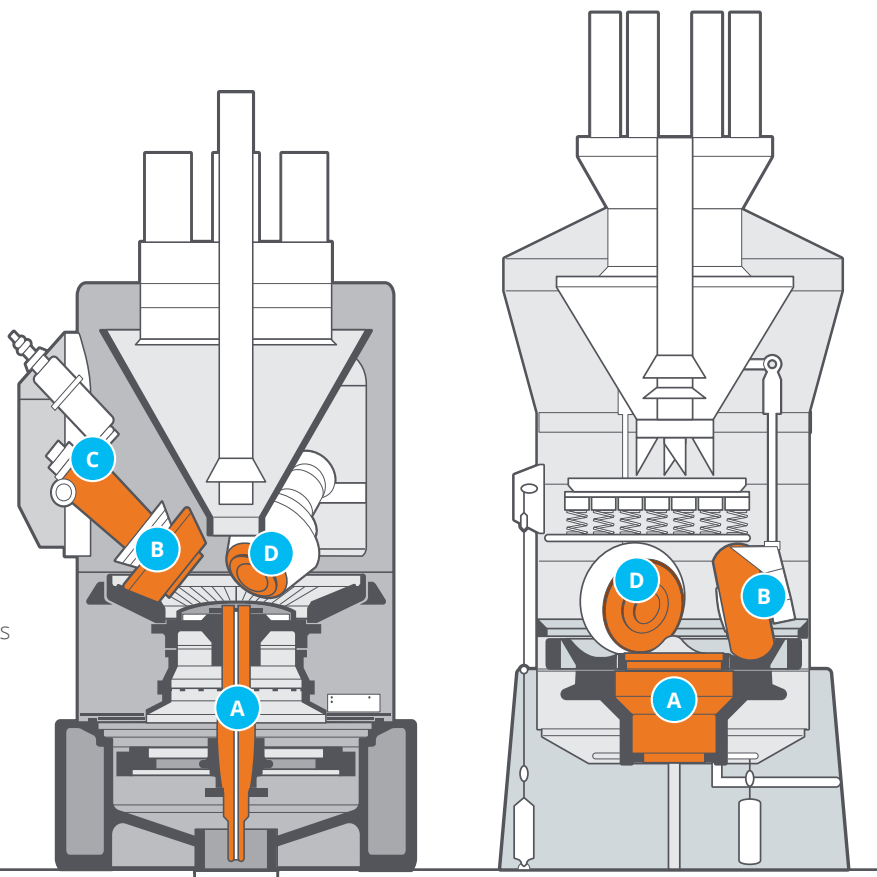
Advantages

- Guaranteed sealing even with large misalignments.
- High working performance even with high rotating speeds.
- Longer working life also for environments with aggressive abrasive components.

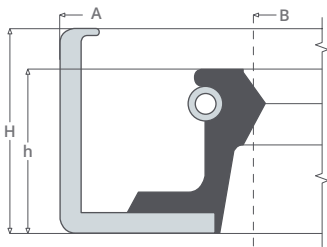
•FP• Srl - ATS Srl offers a choice of Oil Seals, for multiple use within the pulverizing mills:

- Crushing rollers or wheels
- Shaft for crushing rollers or wheels
- Grinding table
- Primary rotating shaft
- Pinion bearings
- Axial bearings
- Cartridge seals

- A** Main shaft
- B** Crushing rollers or wheels
- C** Shaft for crushing rollers or wheels
- D** Cartridge seal housing

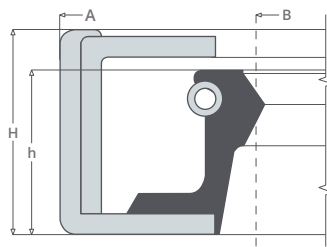


ROTARY SHAFT OIL SEALS FOR CEMENT AND COAL MILL PULVERIZERS



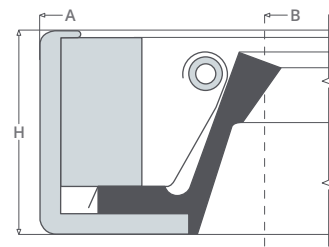
L1

Oil seal with ground metal outer casing and sealing lip vulcanized onto the metal body.



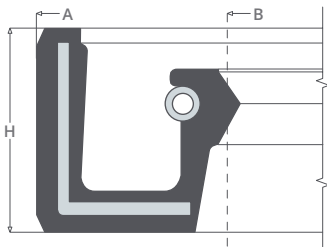
L2

Oil seal with ground metal outer casing and sealing lip vulcanized onto the metal body. The reversed L-shaped metal insert protects the sealing lip and strengthens the ring.



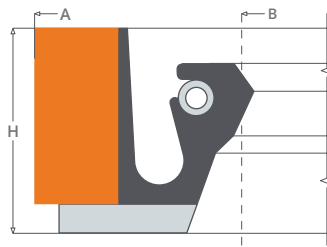
L2M®

Oil seal produced with self-lubricating FKM material vulcanized is one single piece to the metal casing. Reinforced with a stiffening ring and two different springs.



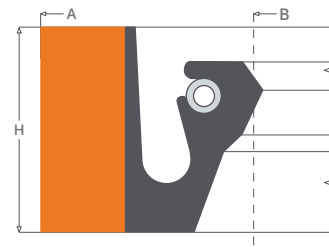
G

Rotary shaft oil seals in rubber-to-metal produced according to DIN3760 norm. Supplied with rubber or with metal outer diameter.



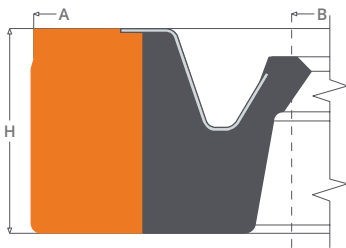
TGA

Provided with axial (A) and radial (R) lubrication grooves; mostly used in "back-to-back" applications.



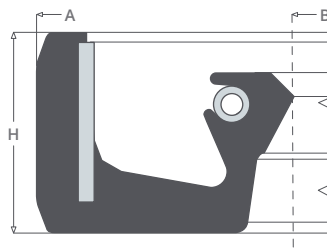
TGU

Oil seal with a flexible reinforced textile-rubber back, and a rubber sealing lip with a garter spring.



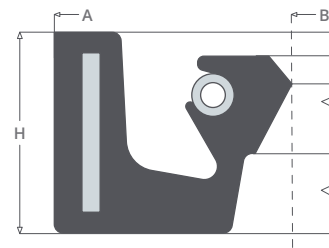
TGU-GM

Profile with a special sealing lip to withstand higher pressures.



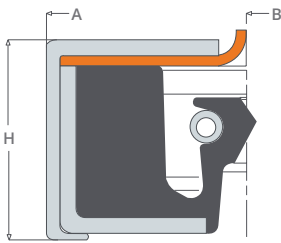
TGF

Profile with flexible metal band which enables the assembly without clamping plate.

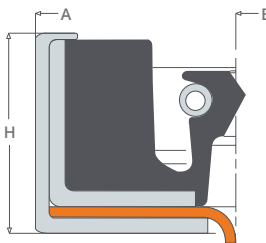


TGFW

Self retaining seal with flexible metal band, completely covered with rubber.



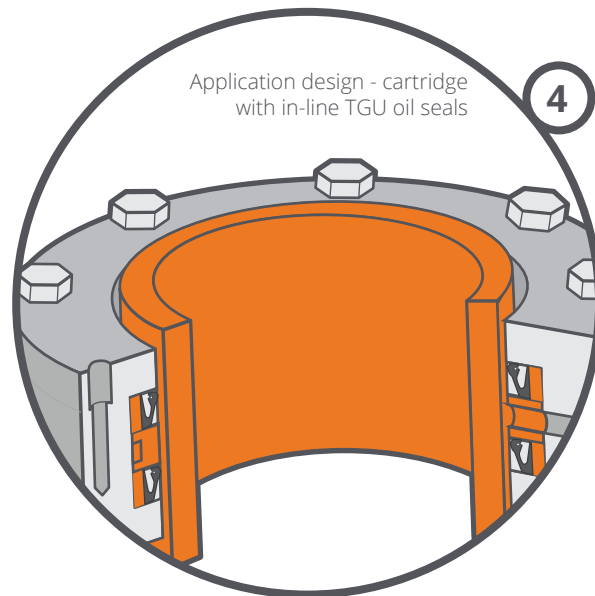
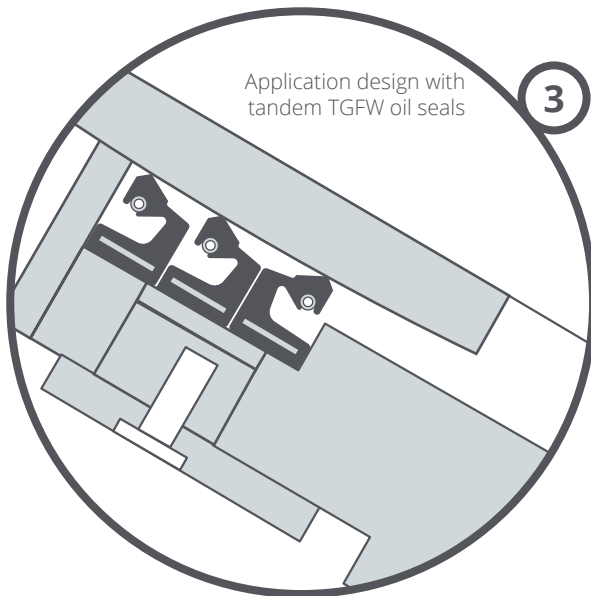
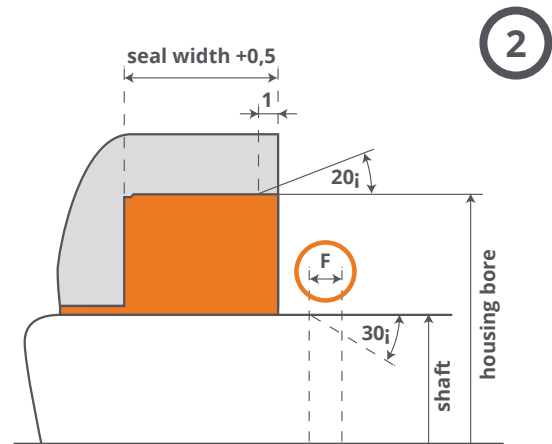
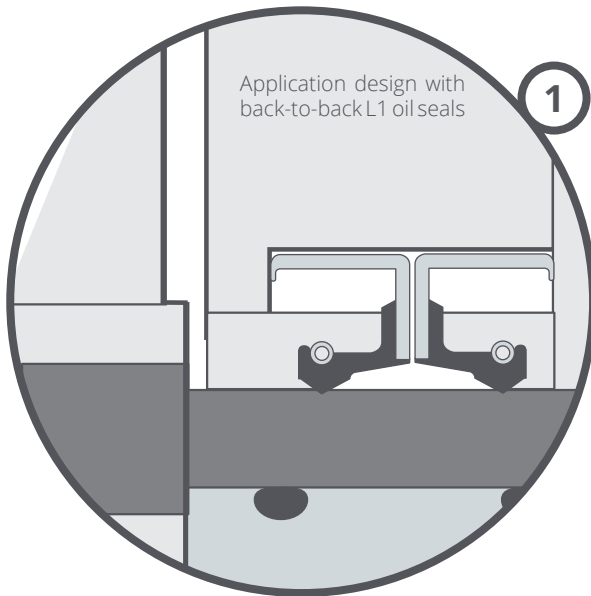
L + PTFE LIP (face up)



L + PTFE LIP (face down)

*The proposed profiles can be produced also with Dust Lip (P), with the only exception of the seal TGA.
The same profiles can be produced in the version for High Pressure applications (BP).*

ROTARY SHAFT OIL SEALS FOR CEMENT AND COAL MILL PULVERIZERS

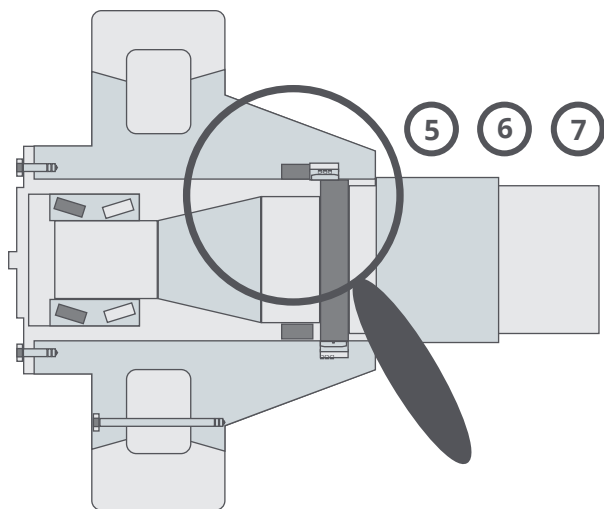


- 1 Main Shaft – sketch for possible assembly of the seals working on the main shaft. Different type of assembly match different engines design. We offer various sealing profiles to match the specification of the application.
- 2 Housing example for application on gearbox's motors and main shaft.

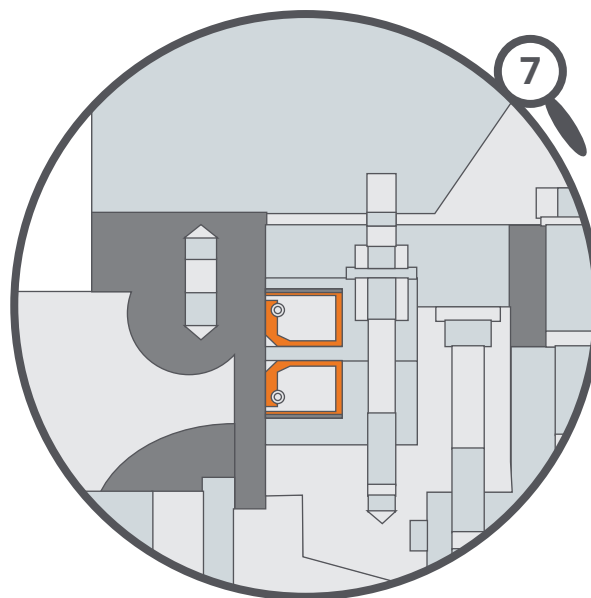
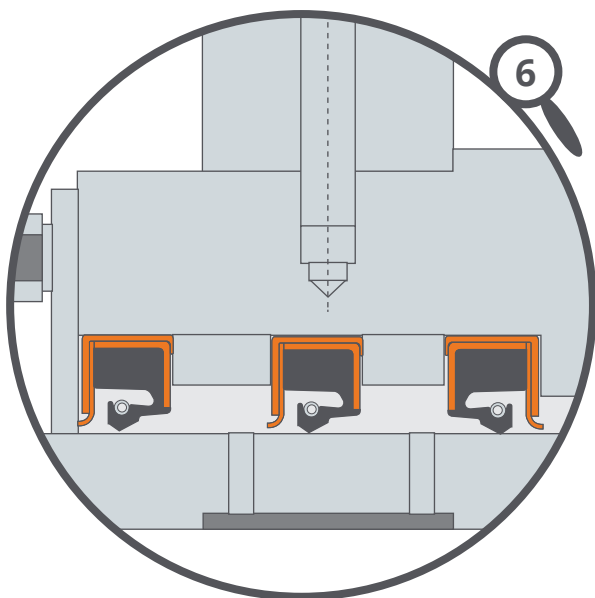
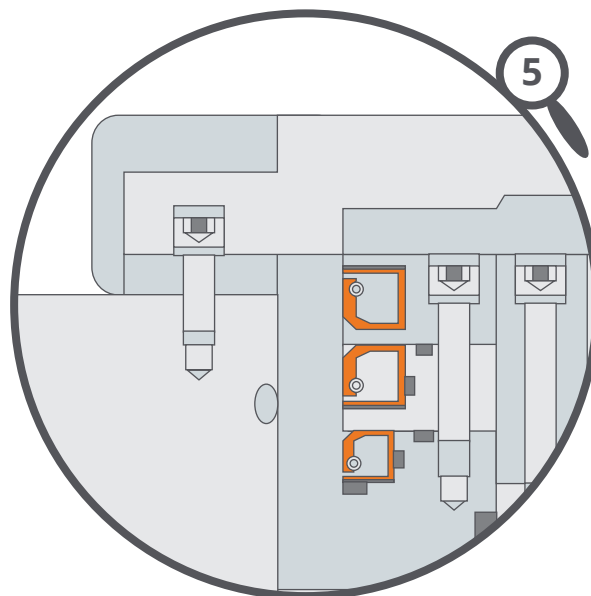
- 3 Engine or gearbox shaft – sketch for possible assembly of the seals in the motor. Different type of assembly match different engines design. We offer various sealing profiles to match the specification of the motor.
- 4 Cartridge – assembled system for easy maintenance and sealing parts replacement.

We also propose various PTFE and High-Performance plastics sealings for these mills, as well as O-Rings of any type. Standard and Endless in big size.

Crushing wheel



There are various types and dimensions of crushing machines. For cement, coal, glass or other materials and any each of these equipment is designed differently from the other. For this reason we do provide a wide range of seals, in order to fulfill the request for sealing elements in any possible design. Especially for the crushing wheels for which we present you in this page some application models.





Headquarter and sales office

F.II Paris S.r.l. a socio unico

via Marconi 142/144, 24060 Castelli Calepio (BG) ITALY
phone +39 035 442 5511 | fax +39 035 442 5478
info@fpparis.com

fpparis.com



Production

ATS Special Oil Seals S.r.l.

via Ettore Majorana 18, 20834 Nova Milanese (MB) Italy

atsoilseals.com

Members of:

sealcore[®]
network

sealcore.net