



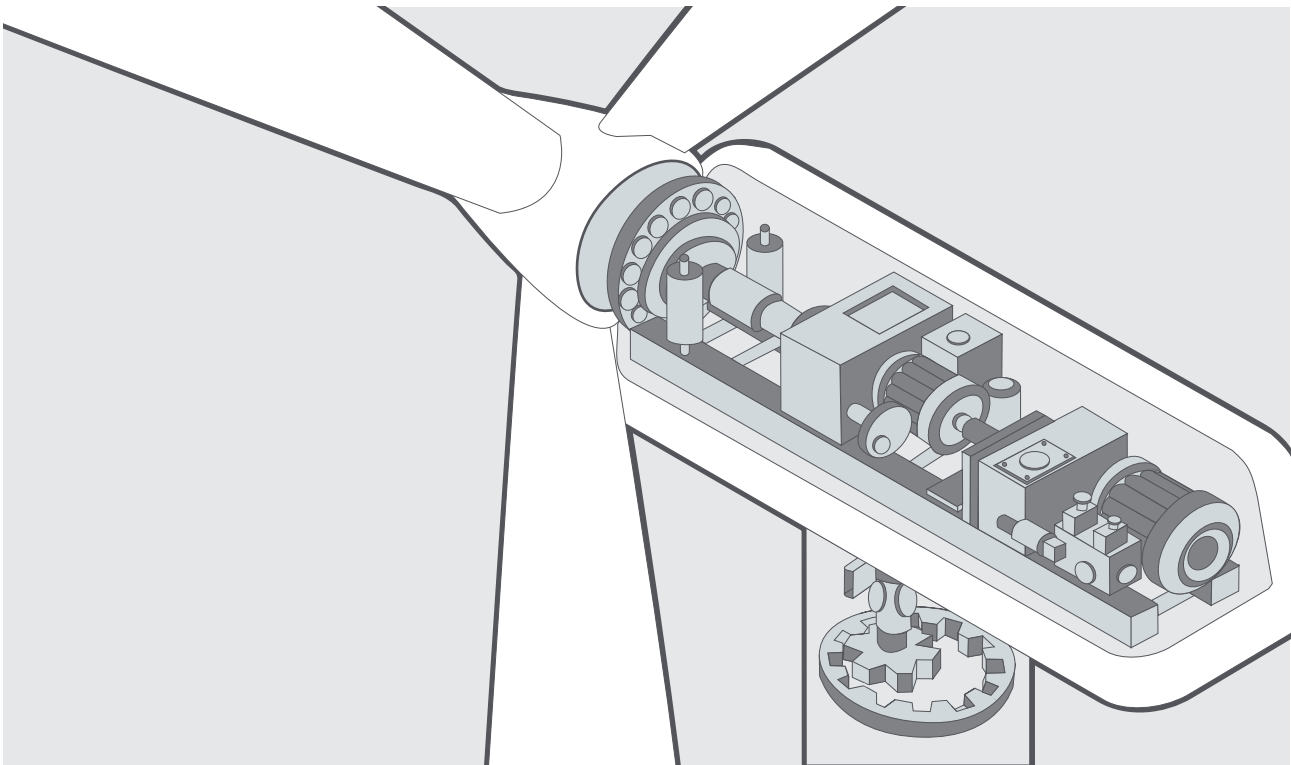
WIND MILL APPLICATION

TECHNICAL HANDBOOK



WIND MILL APPLICATION

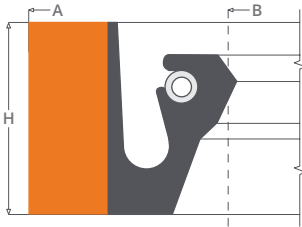
Sealing solutions for wind turbine & gearboxes



The •FP• and ATS Seals are being used for years by OEM and maintenance Companies to fulfill their request for sealing in the worldwide Wind Mill industry. We propose various seals up to a diameter of 3.000 mm, or even larger on special requests. We are suppliers to producers of Wind Mills as much as Hydro Turbines

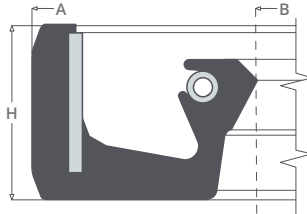
or any type of application, which uses the same concept design. We fill-up customer's requests with Sealing Rings and Seals of any kind matching the always increasing critical demands of the construction specifications.

Seals for wind turbine



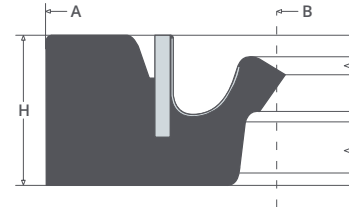
TGU

Oil seal with a flexible reinforced textile-rubber back, and a rubber sealing lip with a garter spring.



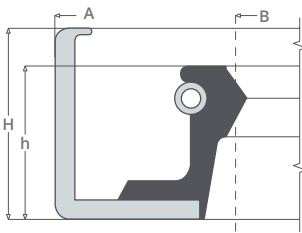
TGF

Profile with flexible metal band which enables the assembly without clamping plate.



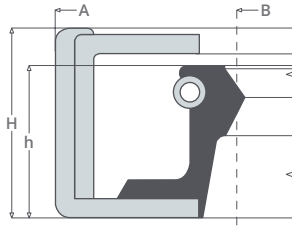
GMF

Oil seal similar to the GM. It is provided with a flexible metal band to guarantee self-retaining features. Available in endless or split form.



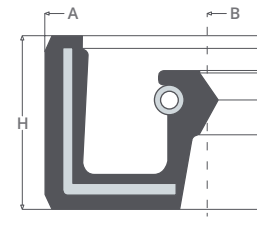
L1

Oil seal with ground metal outer casing and sealing lip vulcanized onto the metal body.



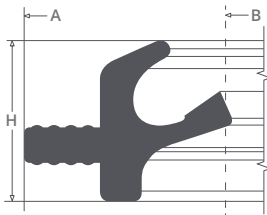
L2

Oil seal with ground metal outer casing and sealing lip vulcanized onto the metal body. The reversed L-shaped metal insert protects the sealing lip and strengthens the ring.

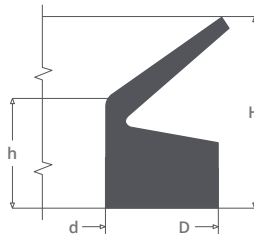


G

Rotary shaft oil seals in rubber-to-metal produced according to DIN3760 norm. Supplied with rubber or with metal outer diameter.

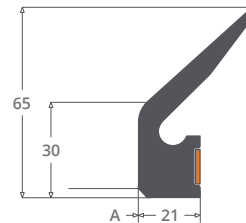


Special profiles for pitch and yaw bearings



VA

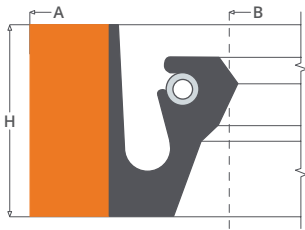
V-Ring with standard cross section proportional to the diameter of the shaft. On demand, fastening metal band with clips.



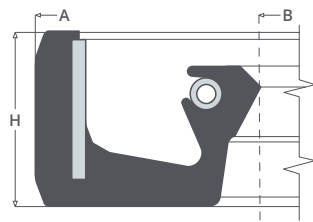
VRME

V-Ring with a built-in housing for a fastening metal band. Cross section with fixed dimensions.

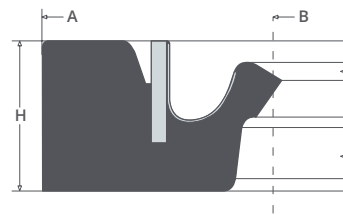
SEALING SOLUTIONS FOR WIND TURBINES



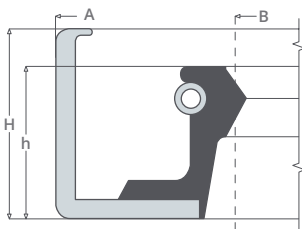
TGU



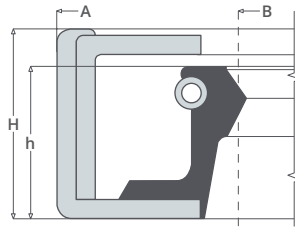
TGF



GMF

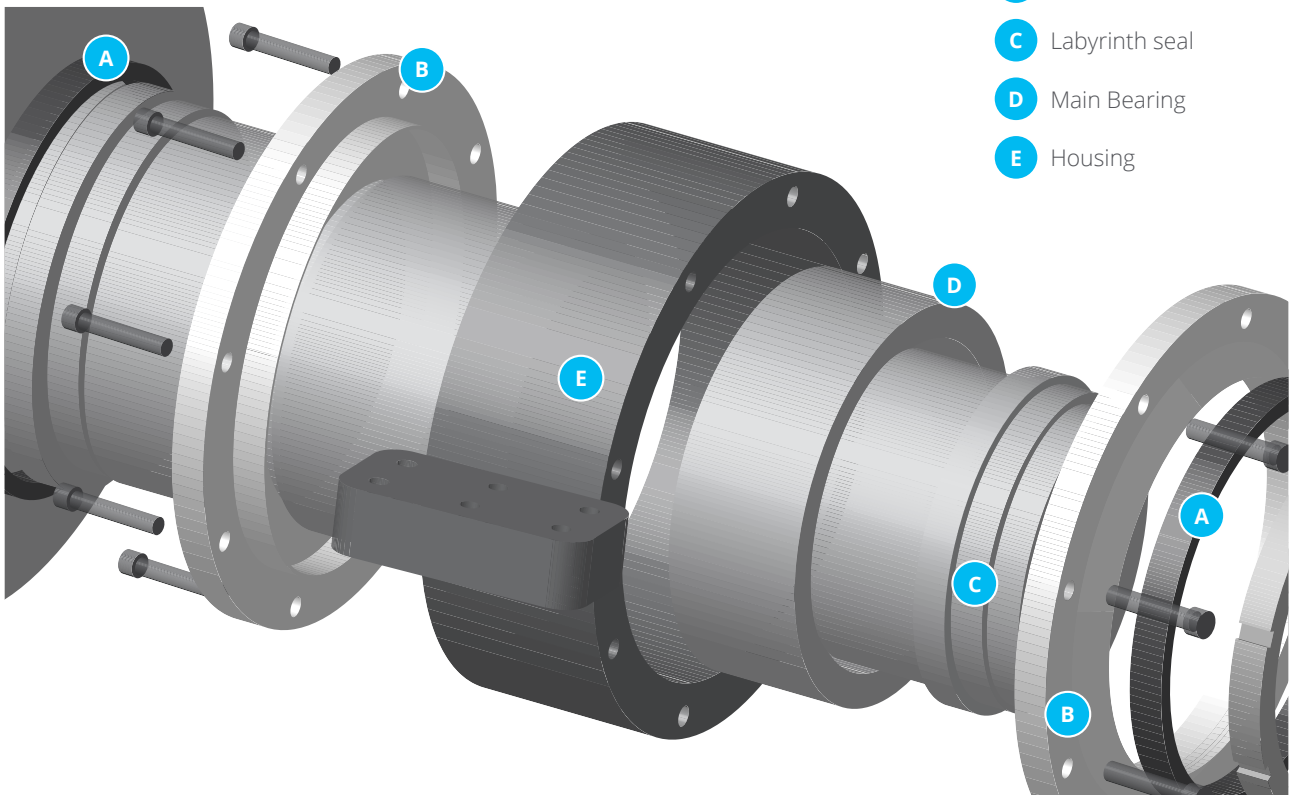


L1

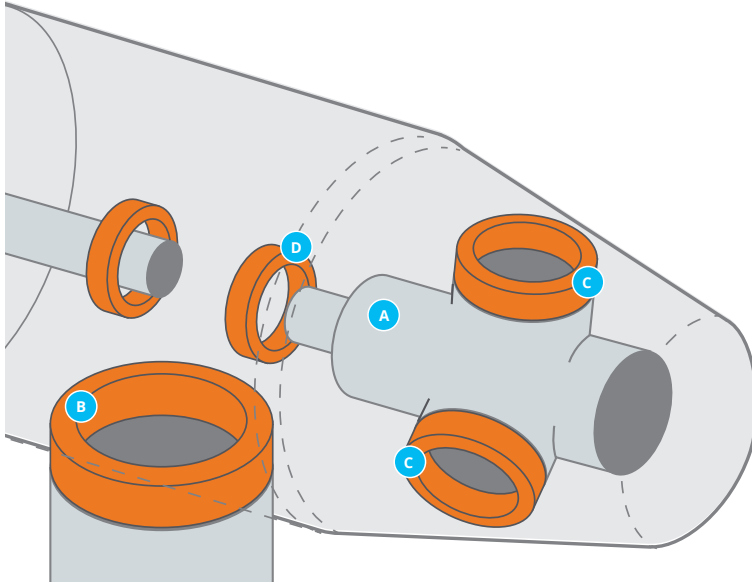


L2

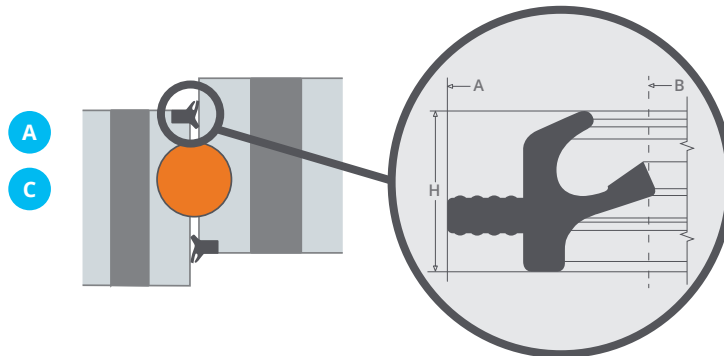
- A** Sealing plugs
- B** Cover
- C** Labyrinth seal
- D** Main Bearing
- E** Housing



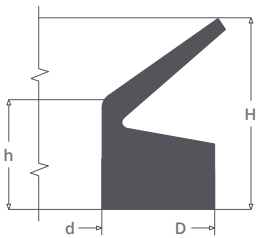
Pitch and Yaw bearing



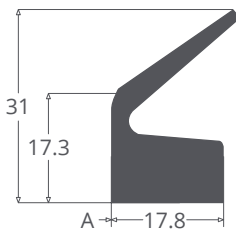
- A Sealing plug**
- B Yaw bearing**
 - Extruded vulcanised special profile seals.
 - On demand step-molded endless O-Rings of any size.
- C Pitch bearings**
 - Extruded vulcanised special profile seals.
 - On demand step-molded endless O-Rings of any size.
- D Main bearings**
 - For specific details please check the previous page.



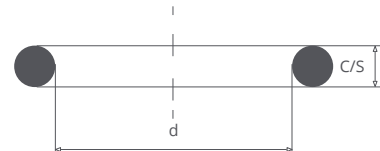
application design of the sealing profile for pitch and yaw bearings.



VA



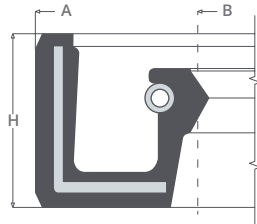
VAX



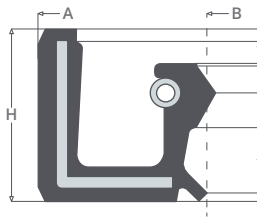
O-RINGS

For further information on all our seals, please check our web page or contact our offices.

Gearbox



G

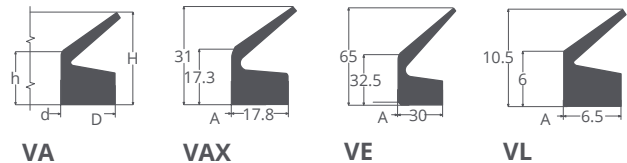


GP

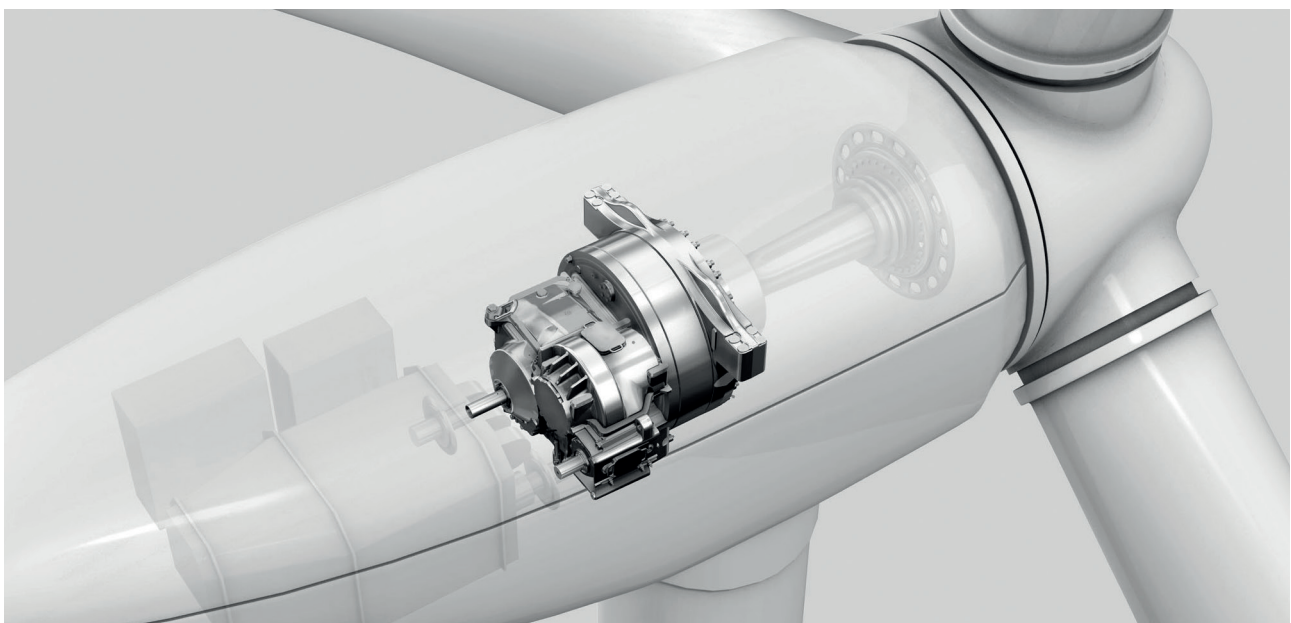
Applications

- . Helical - Mill Gearbox.
- . Planetary Gearbox.

In Gearboxes there is a wide range of seals, which vary by the design of the gearbox itself, and the purpose of their function. The rotary shaft oil seal is an indispensable component in any lubricated rotating equipment. The ·FP· and ATS oil seals provide the right solution to every sealing problem. V-Rings, O-Rings and High Performance Plastics finished parts are also present in the Gearbox, and we can provide you all the sizes and shapes you need.



For further information on all our seals, please check our web page or contact our offices.





Headquarter and sales office

F.II Paris S.r.l. a socio unico
via Marconi 142/144, 24060 Castelli Calepio (BG) ITALY
phone +39 035 442 5511 | fax +39 035 442 5478
info@fpparis.com

fpparis.com



Production

ATS Special Oil Seals S.r.l.
via Ettore Majorana 18, 20834 Nova Milanese (MB) Italy

atsoilseals.com

Members of:
sealcore[®]
network
sealcore.net