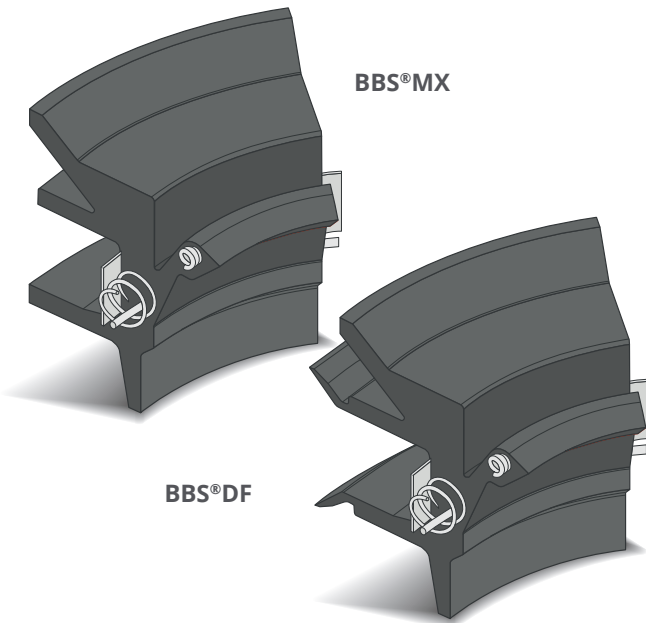




OIL SEALS TYPE BBS® DF and MX

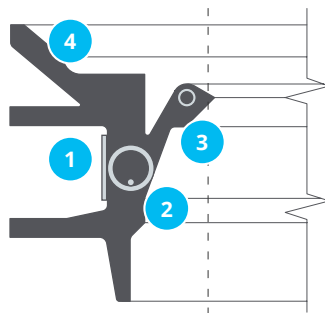


- Primary shaft oil seals for oil film bearings.
- The BBS® oil seals are available in both DF and MX style to fit every customers' requirement.
- Used in steel mill: back-up rolls (hot and cold rolling mills).
- The BBS® oil seals can be supplied together with the corresponding Water Seal, or with specific V-Rings (secondary seal).

Applications
Primary metals industry

Dimensions: Please contact our sales office
Operating temperature range: - 40°C / + 160°C

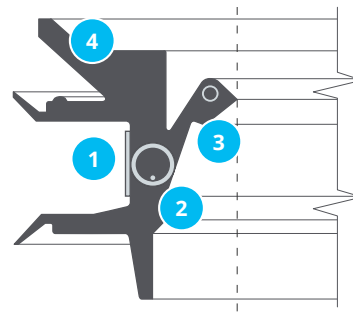
BBS®MX



Technical features

- 1 External metal band
- 2 Garter spring with internal wire, vulcanized in the body of the seal
- 3 Garter spring vulcanized in the sealing lip
- 4 Rubber body

BBS®DF



Materials

- 1 Metal band: AISI 301
- 2 Garter spring with internal wire: AISI 302
- 3 Garter spring: C72 phosphated
- 4 Elastomer: NBR; HNBR

For further information on all our seals, please check our web page or contact our offices.